



FLAT DISPLAY TECHNOLOGY CORPORATION



PKA44xxxRx-00R Specification 2013.01.08 V0.1



ETPP

Embedded Touch Panel Platform

ADD: No.85, Sec. 1, Fuxing Rd., South Dist., Taichung City 402, Taiwan (R.O.C)

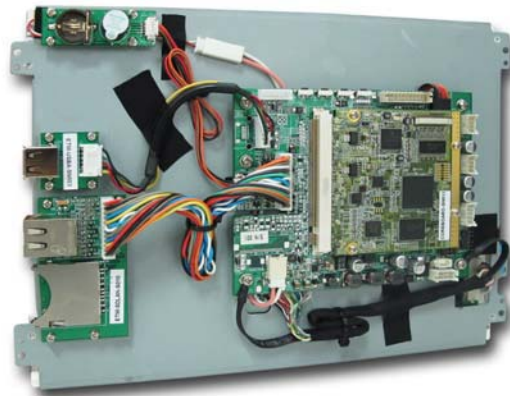
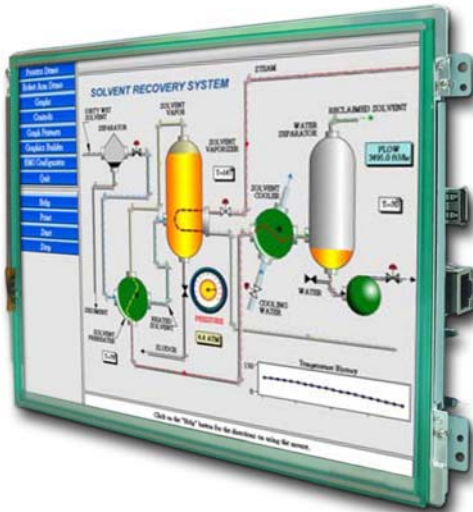
TEL: 886-4-22619577 FAX: 886-4-22623978

E-MAIL: fdt@fdt.com.tw http://www.fdt.com.tw



證書號碼 | 030450

證書號碼 | 8702534



Features

■ System

- ARM Cortex-A8 @ 600MHz
- 256 MB LPDDR DRAM / 256MB NAND Flash
- Android 2.2 / WinCE 6.0

■ Display

- 10.4"(4:3) Color TFT-LCD Panel
- 4 Wires Resistive Touch Screen

■ Various Industrial Serial ports

- RS232 / RS485 / RS422

■ GPIO and Special IO

- General purpose I/O x 9
- I2C (100K/400kHz) x 1
- SPI x 2
- PWM x 1
- ADC (10-Bits) x1

■ USB

- USB 2.0 x 1

■ LAN

- Ethernet RJ-45 (10/100Mbps)
- PoE (Option)

■ Storage

- SD socket x 1
- Micro SD x 1 (Option)

■ Starter Kit

- Simply setting
- Quick Start
- Easy Learning

■ Free APPs source code

- Free C# APPs source code for WinCE6.0
- Free JAVA APPs source code for Android
- Various APPs for special I/O

■ Scan Key

- 3 x 3 Matrix keys x 1 (Option)

■ Wi-Fi

- Wi-Fi IEEE 802.11 b/g/n x 1 (Option)





Specifications

System	
Processor	ARM Cortex-A8 @600MHz
System Memory	256 MB LPDDR DRAM / 256MB NAND Flash
2D/3D Graphics Accelerator	Power VR SGX 530
OS Support	Android 2.2 / Win CE6.0
COM1	RS232 (Option: UART/RS458/RS422)
COM2	RS232 (Option: UART)
USB HOST Type A	USB2.0 HOST x 1 (OTG x 1 Option)
Ethernet /WLAN	RJ45 Port as 10/100Mbps (PoE Option)
Storage	SD / Option: TF (Micro SD)
Buzzer	85dB
Battery for RTC	CR1220
Wi-Fi	Wi-Fi IEEE 802.11 b/g/n (Option)
Scan Key	Max 3 x 3 (Option)
Function Key	Option
Audio	Earphone/MIC (Option)
GPIO	GPIO x 16, I ² C x 1, SPI x 1, PWM x 1, ADC x 1

LCD	
Panel Size	10.4"
Resolution (Pixels)	800x600
Color	262 K colors (18 bits)
Luminance / (with TP)	400/320 cd/m ²
View Angle	60/70/70/70
Backlight Lifetime (LED)	10K (Min) Hours
Touch Screen	
Resistive Type	4 Wires
Projected Capacitance Touch	-
Power Requirement	
Power Input	+9~+36V _{DC} (PoE Option)
Power Consumption@+12V	6.85 Watts ±15%
Environment	
Operating Temp.	-5~60°C
Storage Temp.	-30~70°C





Order Information

Parameter	PKA44A00R1-00R	PKA44A10R1-00R	PKA44W00R1-00R	PKA44W10R1-00R
OS	Android 2.2	Android 2.2	WinCE 6.0	WinCE 6.0
Touch Panel Type	4W Resistive	4W Resistive	4W Resistive	4W Resistive
COM1&COM2 Port	RS232 x 2	RS232 x 2	RS232 x 2	RS232 x 2
USB HOST A-type	⊙	⊙	⊙	⊙
SD Socket	-	⊙	-	⊙
Ethernet (10/100Mbps)	-	⊙	-	⊙
GPIO (SPI/I2C/PWM/ADC)	⊙	⊙	⊙	⊙
RTC Li-ion Battery (CR1220-3V)	⊙	⊙	⊙	⊙
Buzzer	⊙	⊙	⊙	⊙
Function Key (On Board)	⊙	⊙	⊙	⊙
Dimension (WxHxD)	248 x 178.7 x 23.6mm	248 x 178.7 x 27.6mm	248 x 178.7 x 23.6mm	248 x 178.7 x 27.6mm
Weight	828g ±10%	858g ±10%	828g ±10%	858g ±10%

Parameter	PKA44A1AR2-00R	PKA44W1AR2-00R
OS	Android	WinCE 6.0
Touch Panel Type	4W Resistive	4W Resistive
COM1&COM2 Port	RS232 x 2	RS232 x 2
USB HOST A-type	⊙	⊙
TF (Micro SD) Socket	⊙	⊙
Ethernet (10/100Mbps)	⊙	⊙
GPIO (SPI/I2C/PWM/ADC)	⊙	⊙
RTC Li-ion Battery (CR1220-3V)	⊙	⊙
Buzzer	⊙	⊙
Function Key (On Board)	⊙	⊙
Scan Key	Option	Option
Earphone / MIC	Option	Option
WiFi	Option	Option
Dimension (WxHxD)	248 x 178.7 x 27.6mm	248 x 178.7 x 27.6mm
Weight	858g ± 10%	858g ± 10%

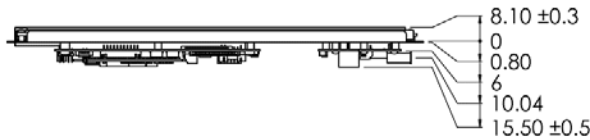
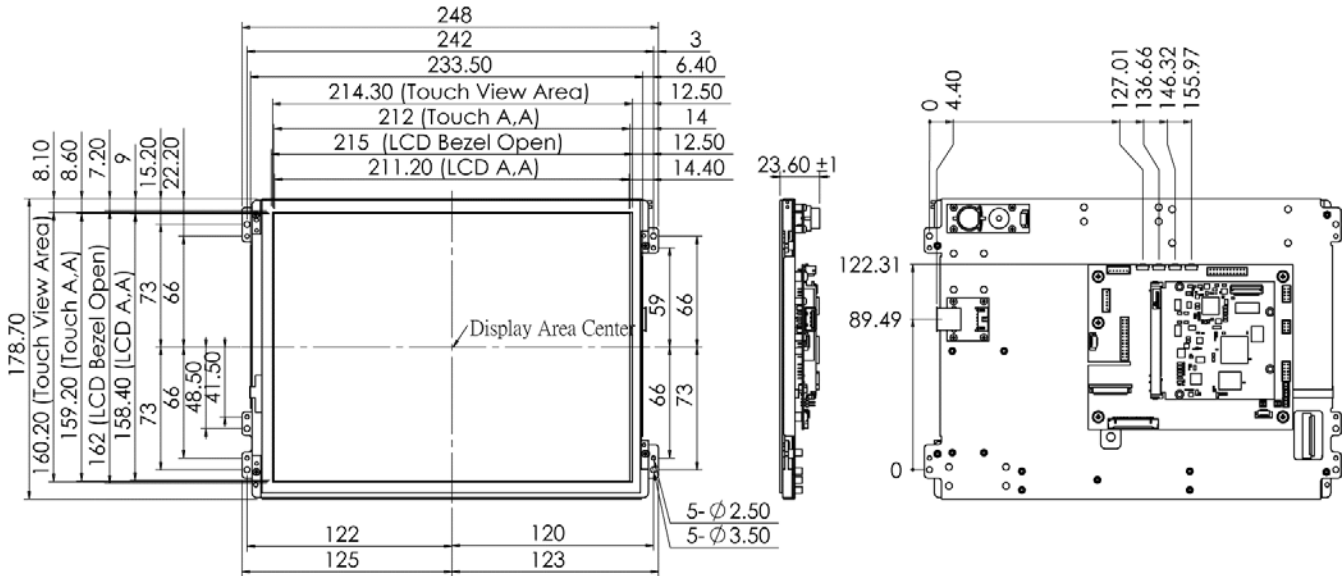
Note: The tape in back of the bracket is to avoid the panel falling from the unit in delivery. It's just a temporary adhesion.



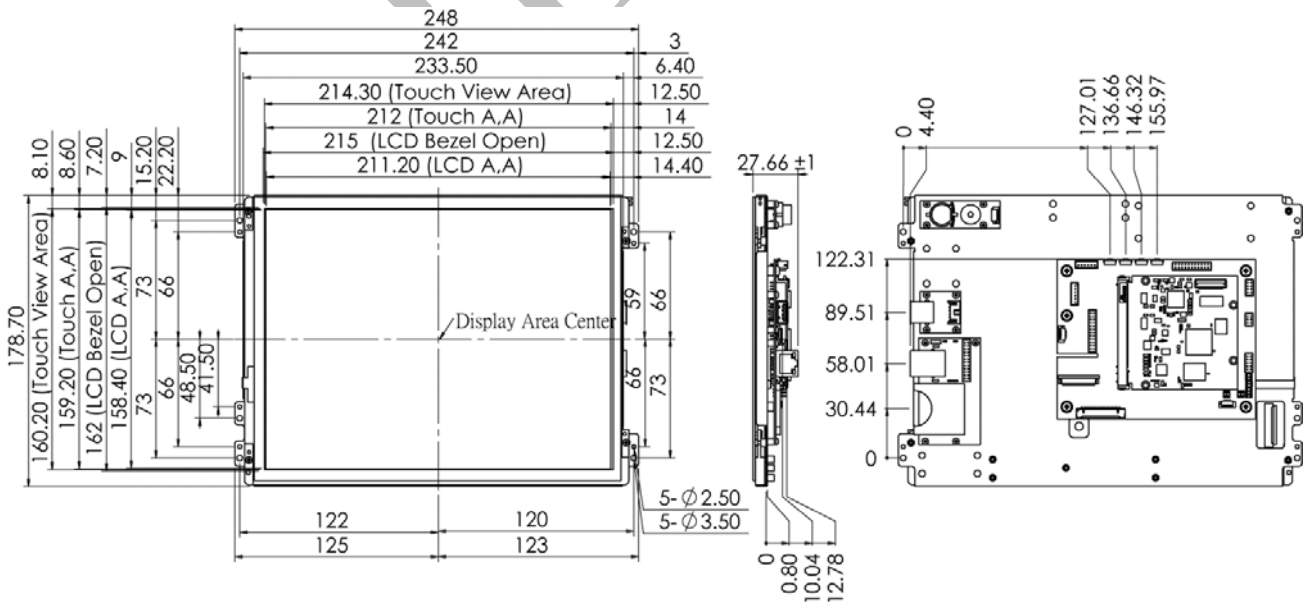


Dimension

PKA44x00R1-00R



PKA44x10R1-00R





Accessories (Option)

NO.	Item	Order P/N	Picture
1	USB A-TYPE Board	LOUSBA0001-FDR With 6-6P (2.0mm Cable)	
2	Mini USB Board	LOUSBMNI01-FDR With 6-6P (2.0mm Cable)	
3	SD&LAN Board	LOSDLAN000-FDR With 24-24P (2.0mm Cable)	
4	TF (Micro SD) & LAN Board	LOTFLAN000-FDR With 24-24P (2.0mm Cable)	
5	Power & COM Board	LOPOWER007-FDR With 8-8P (2.0mm Cable)	
6	Scan Key Board	LK09K00001-FDR With 10-10P (2.0mm Cable)	



NO.	Item	Order P/N	Picture
7	Audio Board (Mic-in & Line out)	LOAUDIO003-FDR With 8-8P (2.0mm Cable)	
8	Wi-Fi	LOWIFI0001-FDR With 6P(1.0mm)-6P (2.0mm) Cable	
9	3A DC 12V Adapter	LASTD12030-FDR Match LAACD18000-FDR	
10	1.67A DC 24V Adapter	LASTD24167-FDR Match LAACD18000-FDR	
11	Power Cord Plug Type B for USA (D Type)	LAACD18000-FDR	